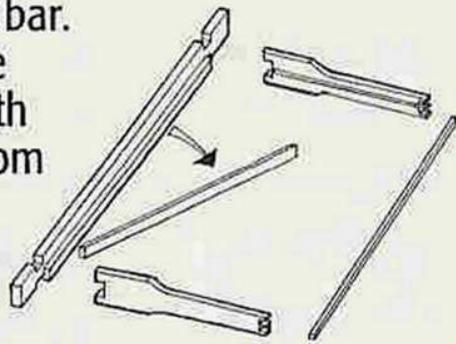
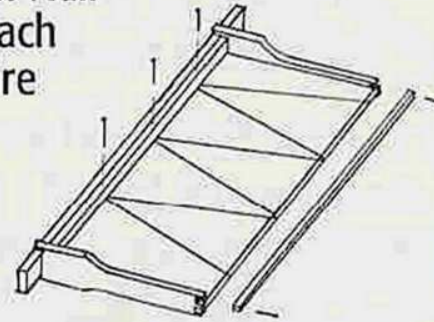


## Frame Assembly Instructions

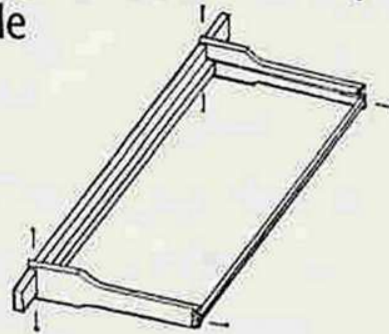
Remove wedge from top bar. Assemble frame with one bottom bar.



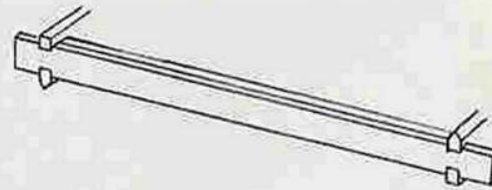
Nail the wedge onto the top bar, trapping the bent wires. Nail through each loop of wire and the wedge at an angle.



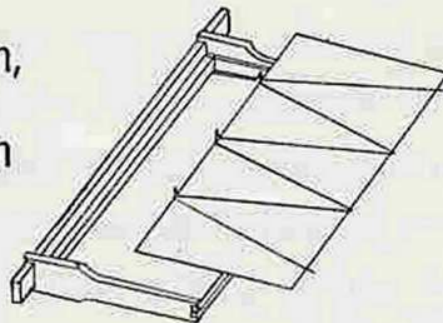
Nail as shown - 2 nails for each side bar, and nail bottom bar up through side bar when nailing hoffman frames.



Nail in second bottom bar.



Bend over long loops of foundation, and lay foundation onto top bar.



When assembling Langstroth or Dadant frames, you will see there is no groove in the side bar. The normal method is to assemble Hoffman frames with side bars pointing as shown.