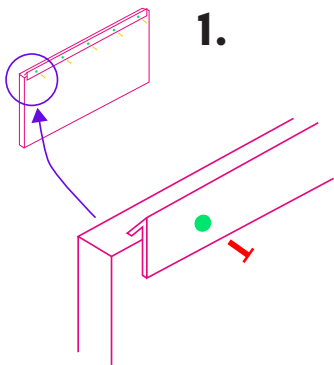


ASSEMBLY INSTRUCTIONS

BUDGET W.B.C. BROOD OR SUPER

Included: 2 x Outer Walls, 2 x Inner Walls, 4 x Square Laths, 2 x Rectangular Laths, 2 x Runners, Glue, 10 x Brass Pins, 26 x 1" Nails, 28 x 1½" Nails

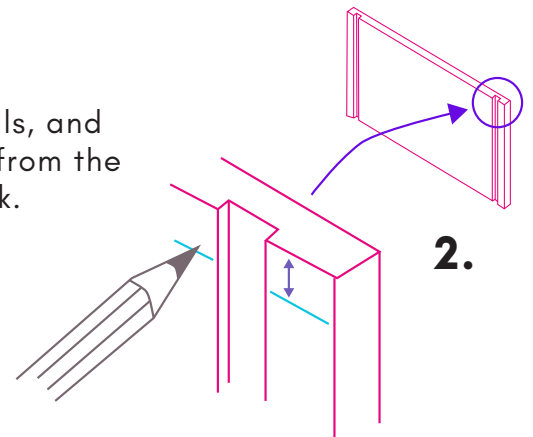
Tools needed: Hammer, Set Square, Tape Measure, Pencil



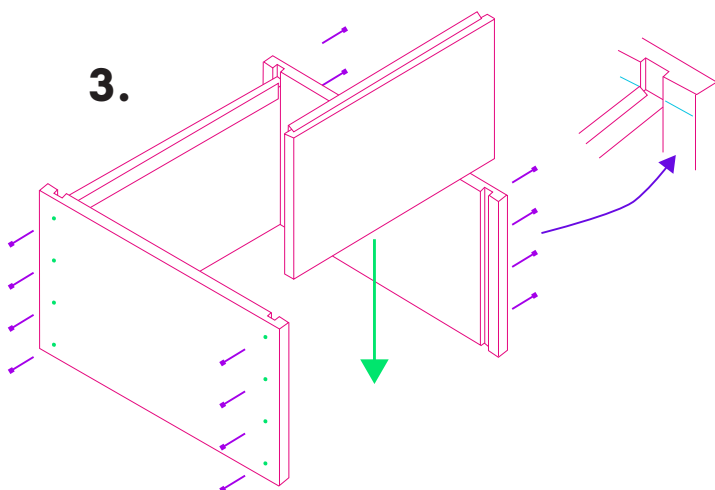
1.

1. Firstly you need 2 x runners, 10 x pins and 2 x inner walls. The inner walls are the smaller ones without the grooves. Attach one runner to each wall along one of the longer sides, like shown in the diagram, using 5 x pins per runner.

2. Next, take 2 x outside walls, and measure 7/16" (11mm) down from the top of each groove and mark.



2.



3.

3A. For this step you will need 16 x 1½" nails and all 4 walls. Run a line of glue down the grooves and attach the inner walls to the outer walls, making sure the **top** of the runners line up with the marks you made in step 2.

3B. Fix these together by nailing through the outer wall, into the end of inner wall, with 1½" nails. Use 4 nails per corner on the brood, and 3 nails for a super.

CHECK THE BOX IS SQUARE BEFORE MOVING ON TO THE NEXT STEP.

E.H. THORNE (Beehives) Ltd.

Beehive Business Park, Rand, Nr. Wragby, Lincolnshire, LN8 5NJ

www.thorne.co.uk

01673 858555

sales@thorne.co.uk

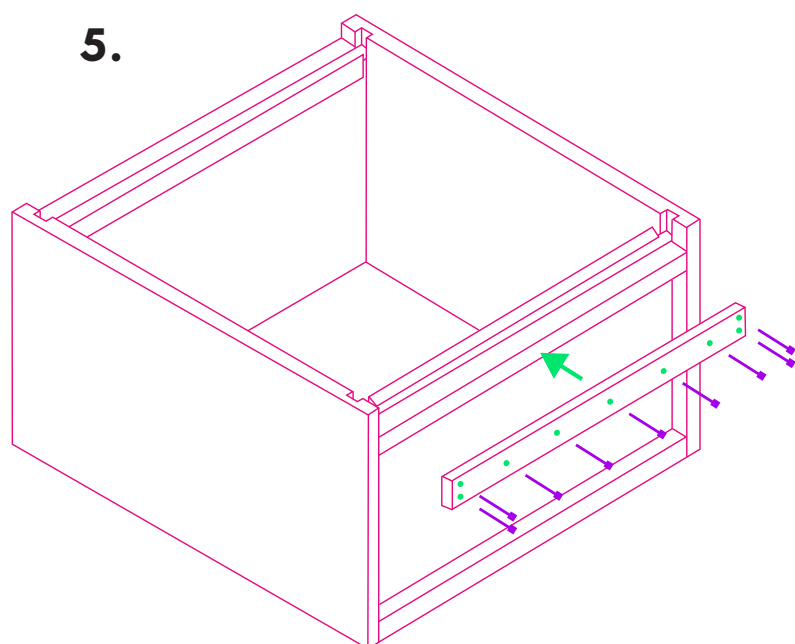
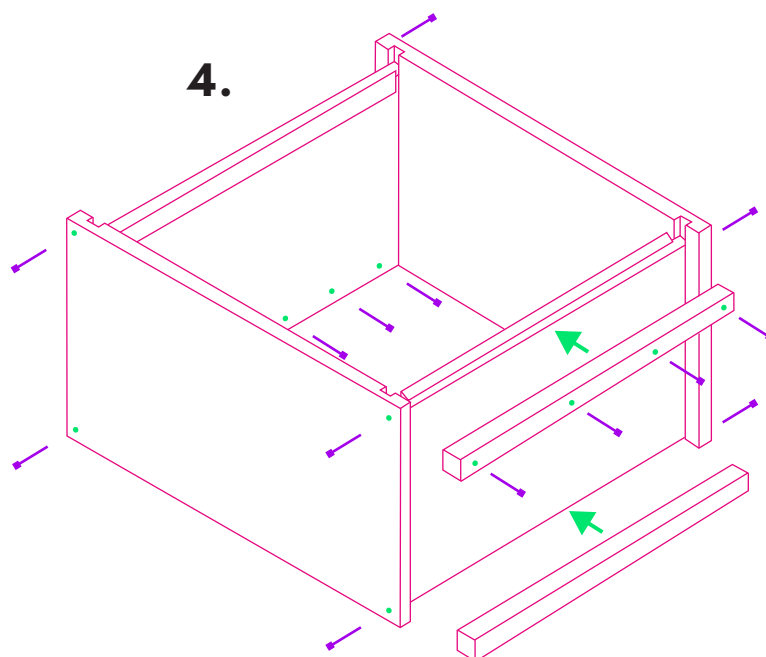
THORNE

BUDGET W.B.C. BROOD OR SUPER *continued...*

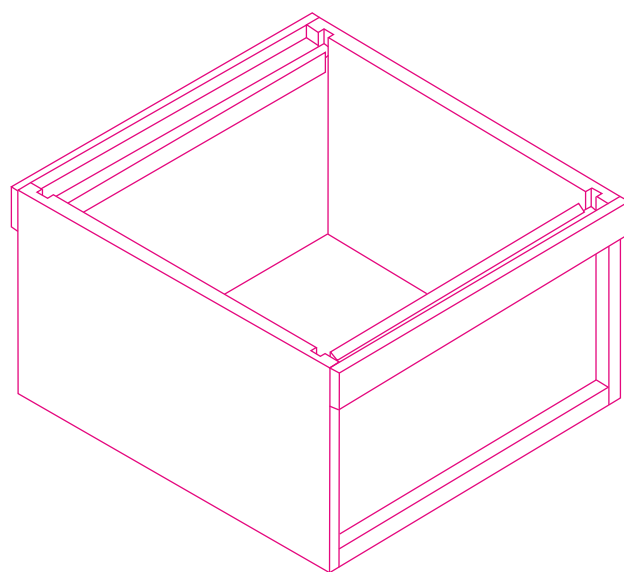
4A. You will now need 4 x square laths, 8 x 1½" nails and 16 x 1" nails. Glue and position the laths in the cavities created by the longer outer wall, the top one in line with the top of the inner wall, and the bottom one in line with the outer wall.

4B. Using the 1½" nails, nail through the outer wall and into the end of the lath, repeat on each end of each lath.

4C. Next fix the top laths from the outside using 4 x 1" nails for each top lath. Then nail the bottom laths from the inside, again using 4 x 1" nails for each lath.



5. The final step for your brood/super is to fix the rectangular laths onto the upper outside of the box, so they are flush with the outside walls. Glue and fix into place with 2 x 1½" nails each and then 5 x 1" nails along the middle of each lath as shown in the diagram.



E.H. THORNE (Beehives) Ltd.

Beehive Business Park, Rand, Nr. Wragby, Lincolnshire, LN8 5NJ

www.thorne.co.uk

01673 858555

sales@thorne.co.uk

THORNE