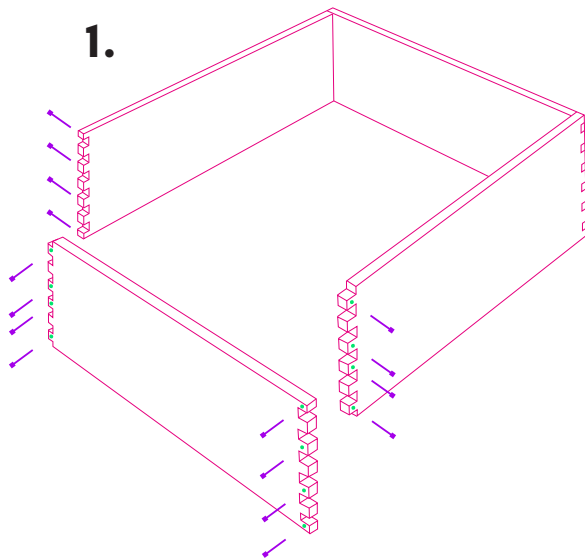


ASSEMBLY INSTRUCTIONS

BUDGET W.B.C. LIFT & PORCH

Included: 4 x Walls, 4 x Laths, 1 x Porch, 1 x Porch Roof, Thorne Name Plate, Glue, 20 x 1" Nails, 35 x 1½" Nails, 3 x Screws, 6 x Brass Pins

Tools needed: Hammer, Set Square, Electric Screwdriver

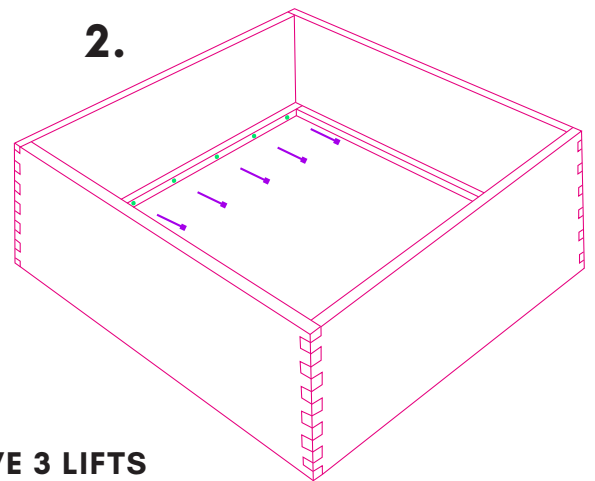


1A. For this first step you will need 32 x 1½" nails and 4 x walls. The walls will all have a slope to them with bevelled top and bottom edges. Make sure you have these the right way round so they are sloping in toward the top of the lift and thus ensuring the tops and bottoms are horizontal.

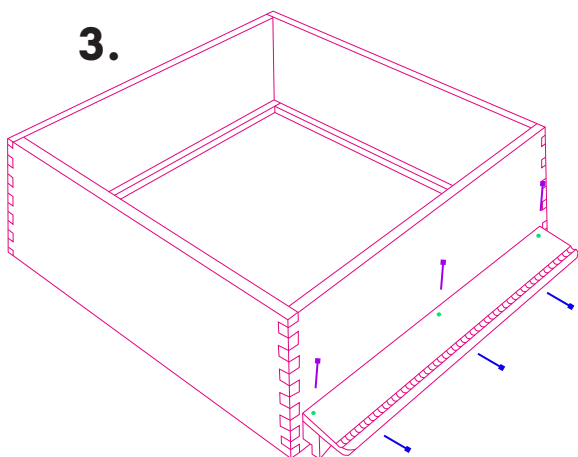
2B. Slot the walls together and nail into place with 8 x 1½" nails on each corner in the configuration shown in the diagram.

CHECK THE BOX IS SQUARE BEFORE MOVING ONTO THE NEXT STEP.

2. Next you will need 20 x 1" nails and 4 x laths. These laths should be nailed inside the lift, a lath depth (½") up from bottom of the lift wall. You can use one of the laths as a guide. Tuck the first lath into one of the corners, so that the next lath can tuck into that one, and so on round the inside of the lift. Nail these in place with 5 x 1" nails per lath.



REPEAT STEPS 1 AND 2 UNTIL YOU HAVE 3 LIFTS



3A. Lastly, you will add the porch and porch roof to one of the lifts. You will need both parts of the porch, 3 x screws and 3 x 1½" nails. Start with your lift on a flat surface, line up the porch flat in line with the bottom of the lift, so it is centered, and screw into place.

3B. Next take the porch roof piece, so that the rain channel is facing up, place onto the porch so it is in line with it and butt up to the wall of the lift, and nail into place with 3 x 1½" nails.

3C. Finish off the lift and porch with the Thorne name plates, fixing it with 6 x brass pins.

E.H. THORNE (Beehives) Ltd.

Beehive Business Park, Rand, Nr. Wragby, Lincolnshire, LN8 5NJ

www.thorne.co.uk

01673 858555

sales@thorne.co.uk

THORNE