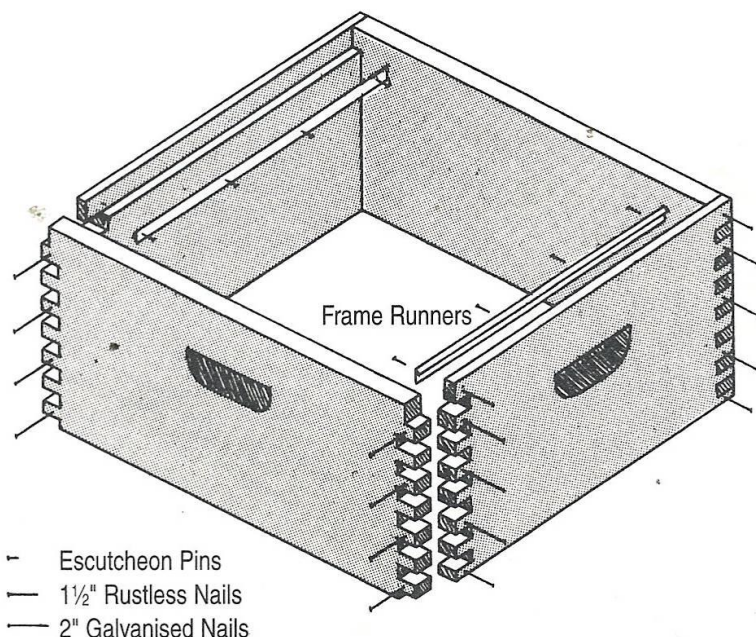


Hive Assembly

Brood Body or Super



1. Bradawl the runners to prevent splitting. Nail the runners centrally to the rebated sides, using brass escutcheon pins.
2. Push the four walls together, handles on the outside and hammer the joints home. (Protect the timber by using a wooden block)
3. Nail the sides together, using 2" nails for the main joints and 1.5" nails for the top joint where the timber is narrower because of the rebate. It is advantageous to place the nails at the back of the joint and leaning slightly away from the corner, thus preventing splitting of the timber..

Use a PVA glue when assembling

Check regularly that the box is square.

Note: Nucleus hive brood bodies are identical in construction but differ in width.

<https://youtu.be/NMf3SrS5ELQ> - YouTube video showing how to assemble a Commercial Brood Body or Super (Also valid for Langstroth/Smith/Dadant)



THORNE

E.H. THORNE (*Beehives*) LTD

Beehive Business Park, Rand, Nr. Wragby, Lincolnshire LN8 5NJ

Tel. 01673 858555

sales@thorne.co.uk

www.thorne.co.uk