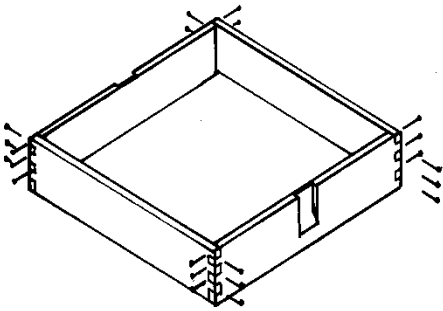


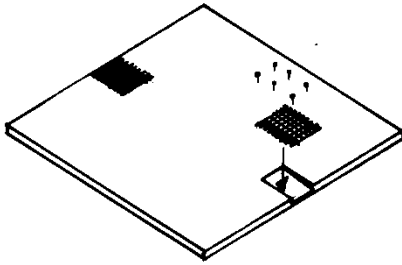
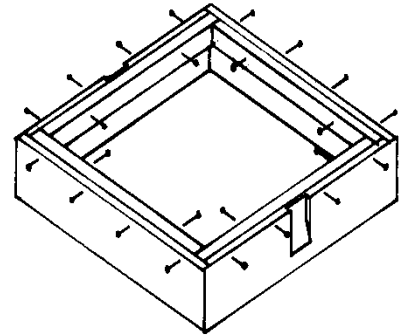
Hive Assembly – Nuc Roof

National, Langstroth, Dadant, Smith, Commercial



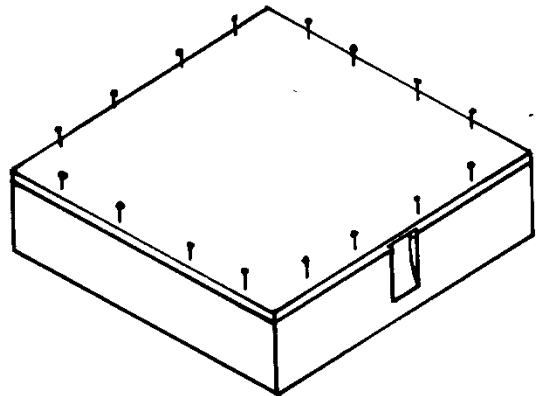
Nail together the four side walls with the vents opposite each other facing out, using 1.5" nails.

Nail the four head space laths around inside of roof, flush with top of the side walls, using 1" nails.

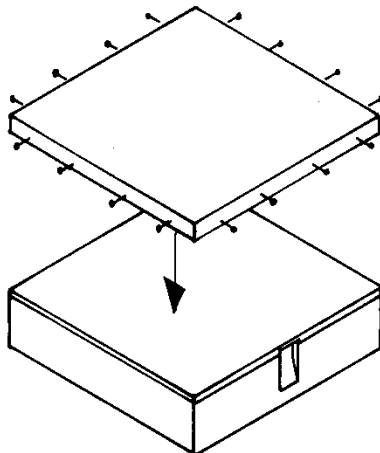


Turn top board over and nail on to frame created, using 1" nails, ensuring board vents line up with vents in side walls.

Check roof is square. Using $\frac{3}{8}$ " pins or staples, tack the ventilator mesh over slots in top board.



For a Youtube video showing how to assemble a Nuc roof click here
<https://youtu.be/ew5GOkmlijs>



Place metal over boards and nail along the sides, using 1" nails. (The metal may require the use of a bradawl)

When assembling a Nucleus hive roof, you will find four extra head space laths included. Construction is exactly the same apart from placing these extra laths on the inside of the roof, 1" up from the bottom of the side walls. This will provide sufficient head space for a small feeder.

THORNE

E.H. THORNE (*Beehives*) LTD

Beehive Business Park, Rand, Nr. Wragby, Lincolnshire LN8 5NJ

Tel. 01673 858555

sales@thorne.co.uk

www.thorne.co.uk