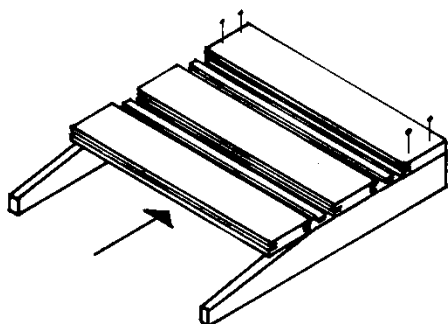


Hive Assembly

W.B.C. Floor

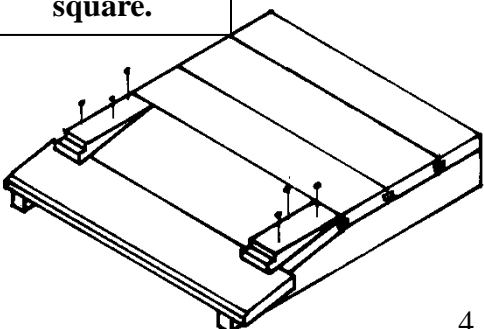
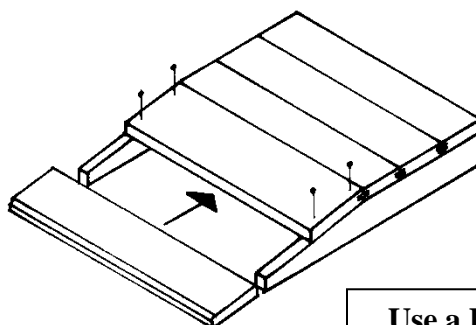


1. Place the joists on a flat surface and nail floorboards in position, using 1.5" nails, starting with the backboard.

NOTE: slot for tongue in one edge only. Work forward to alighting board this has the bevelled leading edge)

Check regularly that the floor is square.

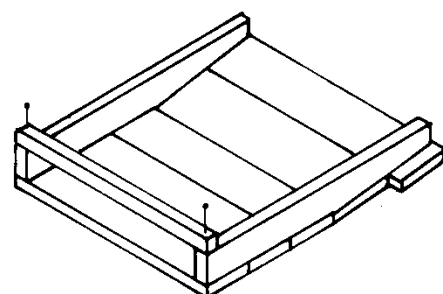
2. Nail alighting board in position with equal overhang on each side.



3. Nail wedges in position using 1.5" nails, flush with sides and 19 7/8" from top edge of rebate to back of floor.

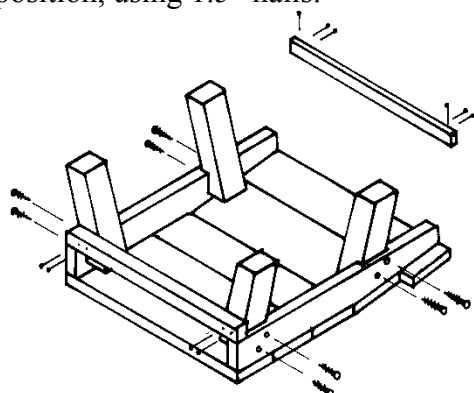
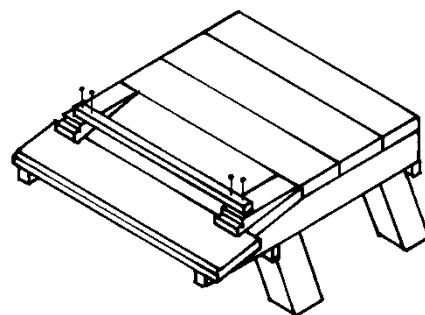
Use a PVA glue when assembling

4. Turn floor upside down and nail the back stay into position, using 2" nails.



6. Position front stay in front of legs and nail in position, using 1.5" nails.

5. Butt the longer pair of legs up to back stay on inside of joist and screw and nail into position, using 1.5" nails. Measure 18" from back of joist to front face of front leg, screw front legs in position.



7. The single pine lath is used to prevent bees entering the cavity between the lift and brood body. It can either be nailed in position 5/8" back from top edge of wedges or laid loose.

THORNE

E.H. THORNE (Beehives) LTD

Beehive Business Park, Rand, Nr. Wragby, Lincolnshire LN8 5NJ

Tel: 01673 858555

Fax: 01673 857004

sales@thorne.co.uk

www.thorne.co.uk